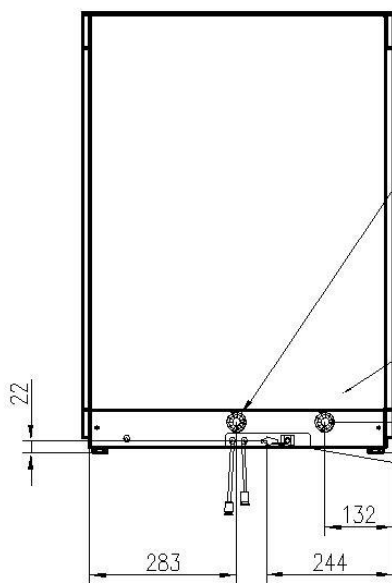
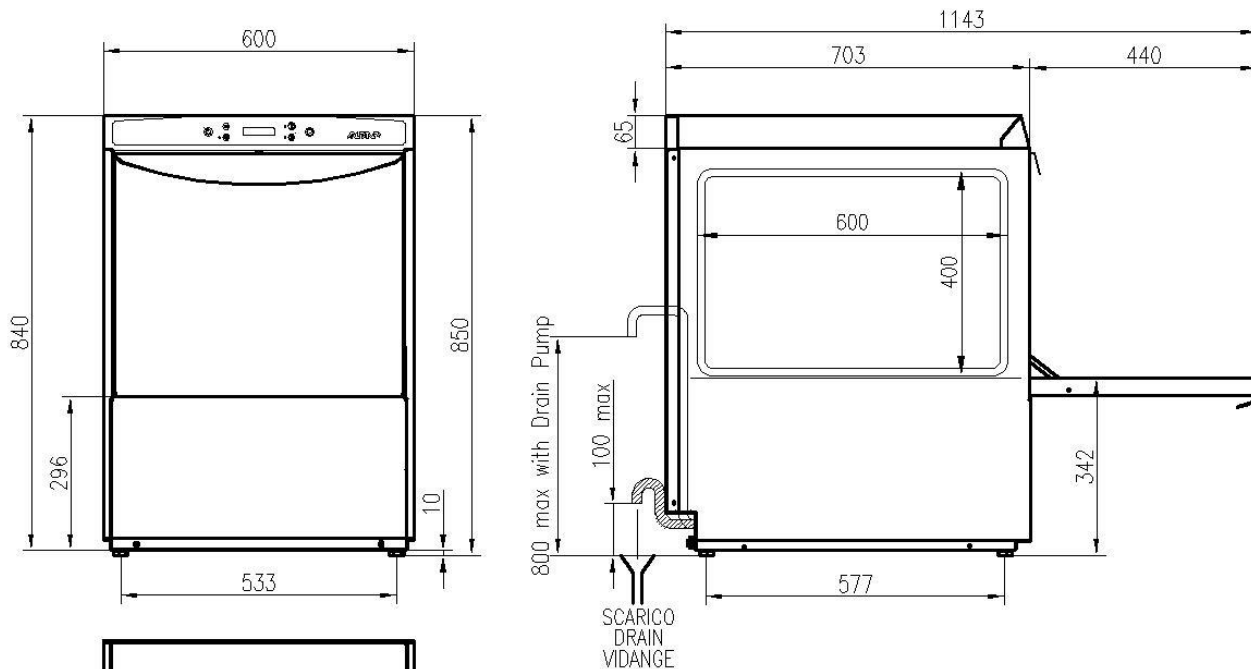


KASTEL wash

SK 60 E



VISTA POSTERIORE
REAR OF MACHINE
VUE ARRIERE

USCITA TUBO DI SCARICO ϕ INT. mm.23 L=mm.2500
EXIT WATER OUTLET PIPE ϕ 23 mm. L=mm.2500.
OUVERTURE DE PASSAGE TUYAU DE VIDANGE ϕ INT. 23 mm. L=mm.2500.

CANNA DI CARICO CON ATTACCO G 3/4" L=mm. 2000.
WATER INLET PIPE CONNECTION G 3/4" L=mm 2000.
OUVERTURE DE PASSAGE TUYAU D'ALIMENTATION EAU AVEC
CONNEXION G 3/4" L=mm 2000.

USCITA CAVO DI ALIMENTAZIONE
EXIT POWER CORD SUPPLY
OUVERTURE DE PASSAGE CABLE D'ALIMENTATION

	Min 10°C-MAX 50°C
	Min 10°C-MAX 25°C with ENERGY RECOVERY
	200÷500kPa(2÷5 Bar)
	100÷500kPa(1÷5 Bar) with ATMOSPHERIC BOILER
	HARDNESS 5÷20°f-2.8÷11°d